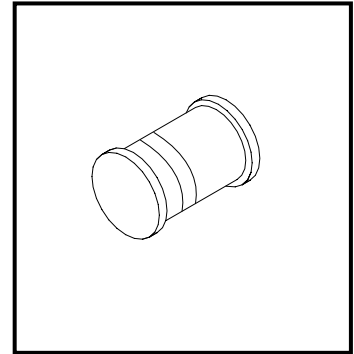


SURFACE MOUNT ZENER DIODES

MF47XXASL



Features

- High reliability
- Very sharp reverse characteristic
- Low reverse current level
- Vz tolerance $\pm 5\%$

Applications

- Voltage stabilization

Absolute Maximum Ratings (Tj=25°C)

Parameter	Test Conditions	Type	Symbol	Value	Unit
Power Dissipation	T _{amb} = 50°C		P _D	1	W
Z-current			I _Z	P _D / V _Z	mA
Junction Temperature			T _J	200	°C
Storage Temperature Range			T _{STG}	-65~+175	°C

Maximum Thermal Resistance (Tj=25°C)

Parameter	Test Conditions	Symbol	Value	Unit
Junction to Ambient	I=9.5mm(3/8"), T _L =constant	R _{th, JA}	100	K/W

Electrical Characteristics (Tj=25°C)

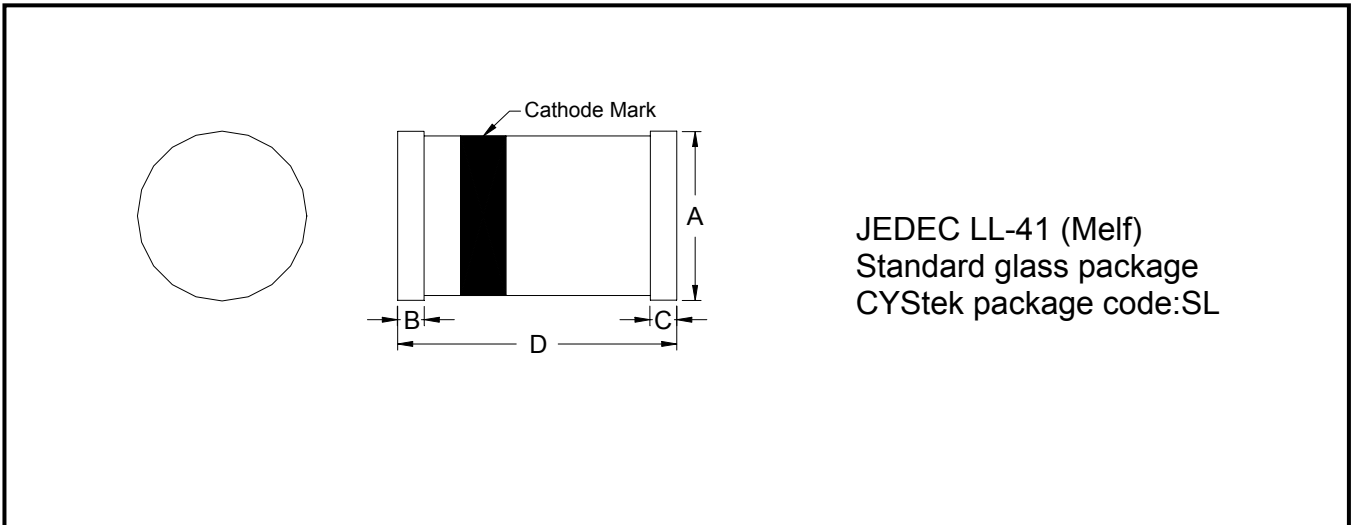
Parameter	Test Conditions	Type	Symbol	Min	Typ	Max	Unit
Forward Voltage	I _F =200mA		V _F			1.2	V

**Electrical Characteristics**

Type	V _{Z nom} (Note 1)	I _{ZT} for Γ_{ZjT}		Γ_{ZjK} at I _{ZK}		I _R at V _R	
	V	mA	Ω	Ω	mA	μ A	V
MF4728A	3.3	76	<10	<400	1	<100	1
MF4729A	3.6	69	<10	<400	1	<100	1
MF4730A	3.9	64	<9	<400	1	<50	1
MF4731A	4.3	58	<9	<400	1	<10	1
MF4732A	4.7	53	<8	<500	1	<10	1
MF4733A	5.1	49	<7	<550	1	<10	1
MF4734A	5.6	45	<5	<600	1	<10	2
MF4735A	6.2	41	<2	<700	1	<10	3
MF4736A	6.8	37	<3.5	<700	1	<10	4
MF4737A	7.5	34	<4	<700	0.5	<10	5
MF4738A	8.2	31	<4.5	<700	0.5	<10	6
MF4739A	9.1	28	<5	<700	0.5	<10	7
MF4740A	10	25	<7	<700	0.25	<10	7.6
MF4741A	11	23	<8	<700	0.25	<5	8.4
MF4742A	12	21	<9	<700	0.25	<5	9.1
MF4743A	13	19	<10	<700	0.25	<5	9.9
MF4744A	15	17	<14	<700	0.25	<5	11.4
MF4745A	16	15.5	<16	<700	0.25	<5	12.2
MF4746A	18	14	<20	<750	0.25	<5	13.7
MF4747A	20	12.5	<22	<750	0.25	<5	15.2
MF4748A	22	11.5	<23	<750	0.25	<5	16.7
MF4749A	24	10.5	<25	<750	0.25	<5	18.2
MF4750A	27	9.5	<35	<750	0.25	<5	20.6
MF4751A	30	8.5	<40	<1000	0.25	<5	22.8
MF4752A	33	7.5	<45	<1000	0.25	<5	25.1
MF4753A	36	7.0	<50	<1000	0.25	<5	27.4
MF4754A	39	6.5	<60	<1000	0.25	<5	29.7
MF4755A	43	6.0	<70	<1500	0.25	<5	32.7
MF4756A	47	5.5	<80	<1500	0.25	<5	35.8
MF4757A	51	5.0	<95	<1500	0.25	<5	38.8
MF4758A	56	4.5	<110	<2000	0.25	<5	42.6
MF4759A	62	4.0	<125	<2000	0.25	<5	47.1
MF4760A	68	3.7	<150	<2000	0.25	<5	51.7
MF4761A	75	3.3	<175	<2000	0.25	<5	56

Note 1 : Based on DC measurement at thermal equilibrium while maintaining the lead temperature (T_L) at 30°C, 9.5mm(3/8") from the diode body.

Melf Dimension



*:Typical

DIM	Inches		Millimeters		DIM	Inches		Millimeters	
	Min.	Max.	Min.	Max.		Min.	Max.	Min.	Max.
A	0.095	0.110	2.40	2.80	C	0.016	0.024	0.40	0.60
B	0.016	0.024	0.40	0.60	D	0.190	0.205	4.8	5.2

Notes : 1.Controlling dimension : millimeters.
 2.Maximum lead thickness includes lead finish thickness, and minimum lead thickness is the minimum thickness of base material.
 3.If there is any question with packing specification or packing method, please contact your local CYStek sales office.

Important Notice:

- All rights are reserved. Reproduction in whole or in part is prohibited without the prior written approval of CYStek.
- CYStek reserves the right to make changes to its products without notice.
- CYStek **semiconductor products are not warranted to be suitable for use in Life-Support Applications, or systems.**
- CYStek assumes no liability for any consequence of customer product design, infringement of patents, or application assistance.